

Fiber Optic Splice Dome Closure

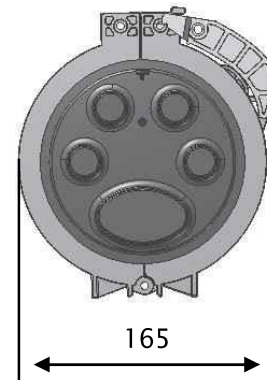
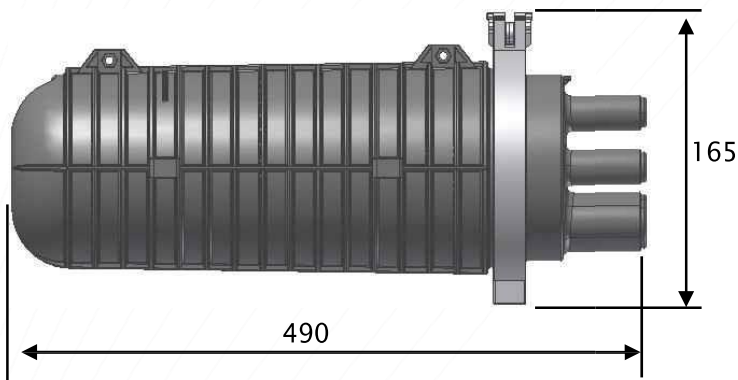
XTND-506A

PRODUCT

Fiber Optic Splice Dome Closure for various installation condition



SPECIFICATIONS



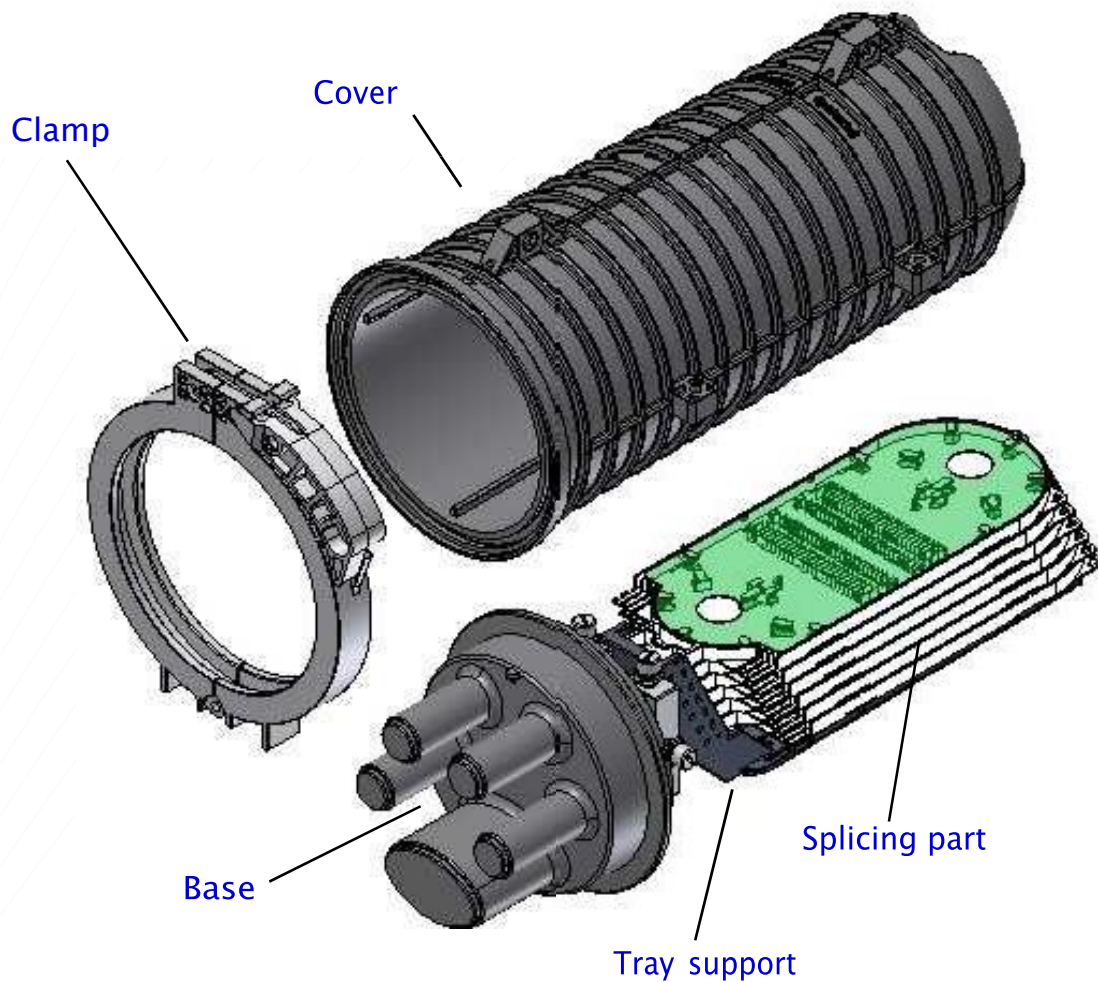
Item	XTND-506A
Size (mm)	490 x Φ 165
Weight (kg)	3 (Exclude the Hanger)
Inlet Port	5 (Oval 1)
Cable Dia. (mm)	Φ 8 ~ Φ 24
No. of Tray	6
Tray Capacity	24C (Max.48C)
Splicing Capacity	144C (Max.288C)
Splicing Method	Fusion , Mechanical
Splice Protector	Heat shrinkable sleeve
Cable Sealing	Heat shrinkable tube
IP Rating	Complied with IP68 in accordance with Telcordia International standard

Fiber Optic Splice Dome Closure

XTND-506A

CONFIGURATIONS

- ✔ Reliable moisture-tight housing with hot-melt type sealing
- ✔ Ribbed body structure protects against impact and compression
- ✔ Efficient fiber management by splice tray holding structure
- ✔ Ease of use for closure assembly
- ✔ Easy clamping of tension member and grounding
- ✔ Great quantity of fiber optic cable can make an excellent environment performance



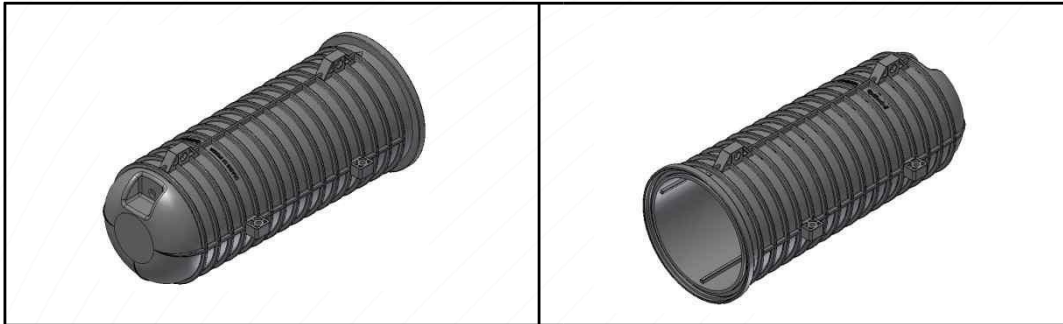
Fiber Optic Splice Dome Closure

XTND-506A

FEATURES

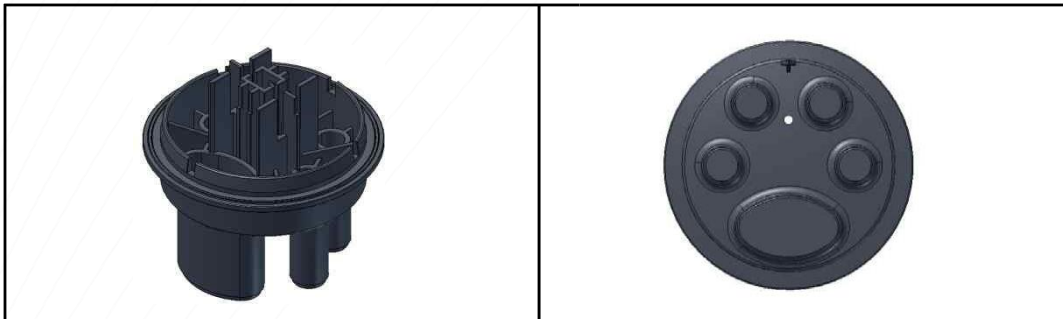
Cover

- ~ Ribbed cover for greater impact and compressive strength
- ~ Hanger connecting part for easy installation



Base

- ~ 4 single and 1 oval port configuration
- ~ Waterproof performance of the inlet cable a stable fixed and applied heat shrink tube



Clamp

- ~ Ease of use for closure assembly

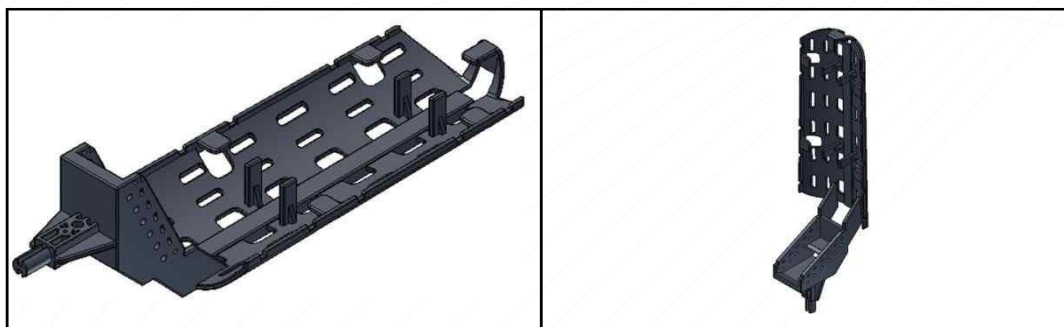


Fiber Optic Splice Dome Closure

XTND-506A

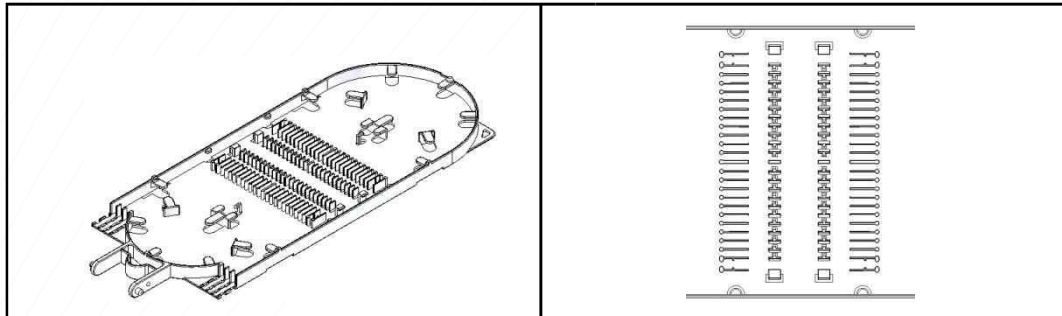
Tray support & Spool

- Tray supporter accommodates 6 trays and is able to fix it at 60° in open state
- Efficient storage for loose tube in the unit spool



Splicing part

- 6 inlet ports in the tray
- Double layered storage (maximum 48 fibers by inserting two sleeves in one slit)
- The Tray accommodates 2 splitter



Tension Member

- Convenient usage of tension member by hand.
- Tight and stable fastening of central strengthen member

