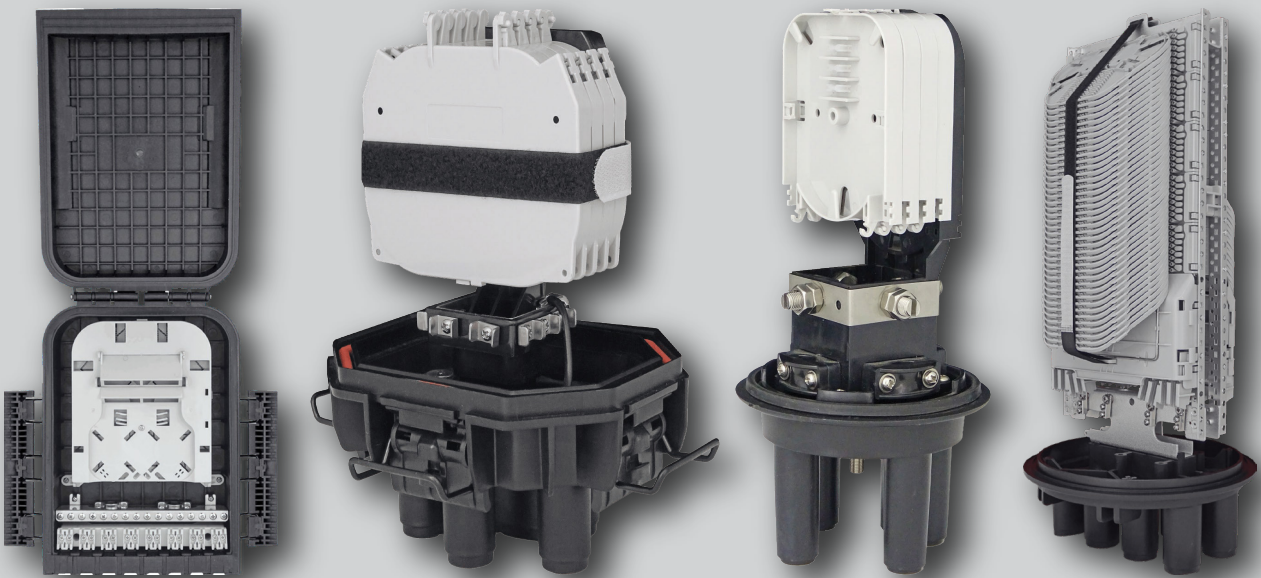




FIBER OPTIC ENCLOSURES



960F Fiber Optic Splice Closures

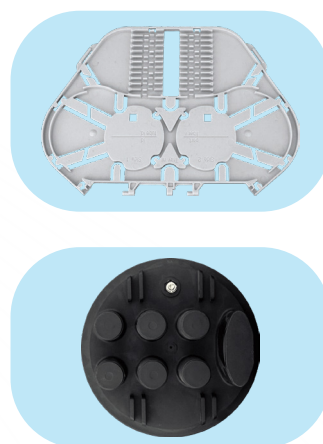
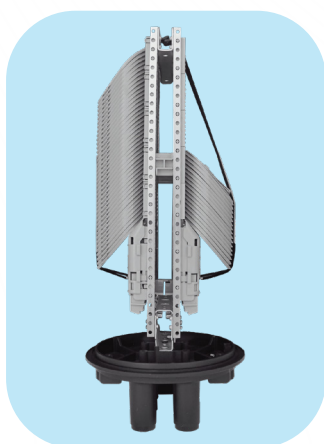
Single Circuit Max: 80 Trays, 80×12 Fibers

FEATURES

- Modular capacity up to **960 fibers**.
- May be used for cut, uncut and taut sheath applications.
- May be used for all fiber optic cable.
- Sheath retention & central strength member fasten system included.
- Closure construction and lightweight plastic provides strength and resistance to chemical and U.V attack.
- Installation and reentry with a minimum of tools.
- All hardware are included.
- Protection class: **IP68**.
- RoHS compliance.



APPLICATION



SPECIFICATIONS

Model No.	YT01047 SSC-576250-6P-576-48T/80T-S12C 576×265m, 576 Fibers Capacity, 48 Trays, 6 Port, Enclosure , w/o Mounting Kits
Model No.	YT00966 SSC-576250-6P-288-24T/80T-S12C 576×265m, 288 Fibers Capacity, 24 Trays, 6 Port, Enclosure , w/o Mounting Kits
Model No.	YT01048 SSC-576250-6P-144-12T/80T-S12C 576×265m, 144 Fibers Capacity, 12 Trays, 6 Port, Enclosure , w/o Mounting Kits
Spliced Fiber Storage Capacity	960 splices (80×12)
Size Height x Diameter	576mm x 250mm (w/o clamp), 576mm x 300mm (w/ clamp)
Cable Ports	1 oval port (30mm), 6 round ports (30mm)

Model No.	Wall Mounting Kit - 2 Pole Mounting Kit - 2
-----------	--

480F Fiber Optic Splice Closures

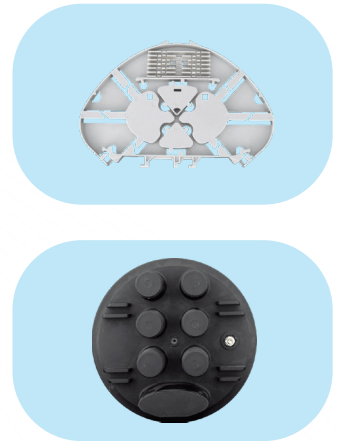
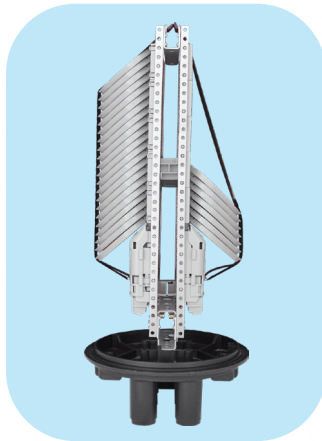
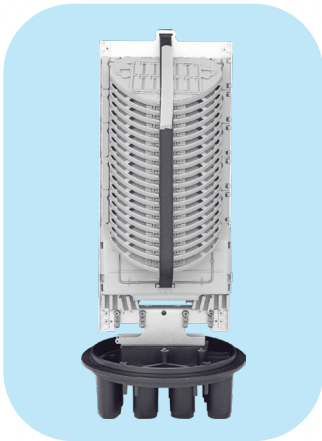
Single Element Max: 40 Trays, 40×12 Fibers

FEATURES

- ~ Modular capacity up to **480 fibers**.
- ~ May be used for cut, uncut and taut sheath applications.
- ~ May be used for all fiber optic cable.
- ~ Sheath retention & central strength member fasten system included.
- ~ Closure construction and lightweight plastic provides strength and resistance to chemical and U.V attack.
- ~ Installation and reentry with a minimum of tools.
- ~ All hardware are included.
- ~ Protection class: **IP68**.
- ~ RoHS compliance.



APPLICATION



SPECIFICATIONS

Model No.	YT01049 SSC-576250-6P-288-24T/40T-SE 576×265m, 288 Fibers Capacity, 24 Trays, 6 Port, Enclosure , w/o Mounting Kits
Model No.	YT01050 SSC-576250-6P-144-12T/40T-SE 576×265m, 144 Fibers Capacity, 12 Trays, 6 Port, Enclosure , w/o Mounting Kits
Model No.	YT01051 SSC-576250-6P-96-8T/40T-SE 576×265m, 96 Fibers Capacity, 8 Trays, 6 Port, Enclosure , w/o Mounting Kits
Spliced Fiber Storage Capacity	480 splices (40×12)
Size Height x Diameter	576mm x 250mm (w/o clamp), 576mm x 300mm (w/ clamp)
Cable Ports	1 oval port (30mm), 6 round ports (30mm)

Model No.	Wall Mounting Kit - 2 Pole Mounting Kit - 2
-----------	--

576F Fiber Optic Splice Closures

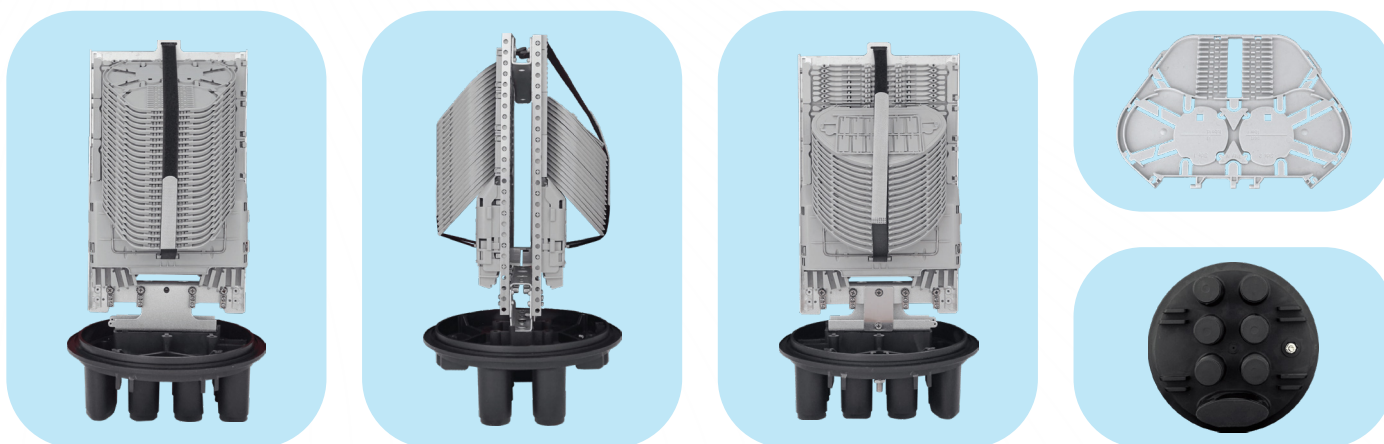
Single Circuit Max: 48 Trays, 48×12 Fibers

FEATURES

- ~ Modular capacity up to **576 fibers**.
- ~ May be used for cut, uncut and taut sheath applications.
- ~ May be used for all fiber optic cable.
- ~ Sheath retention & central strength member fasten system included.
- ~ Closure construction and lightweight plastic provides strength and resistance to chemical and U.V attack.
- ~ Installation and reentry with a minimum of tools.
- ~ All hardware are included.
- ~ Protection class: **IP68**.
- ~ RoHS compliance.



APPLICATION



SPECIFICATIONS

Model No.	YT01052 SSC-492250-6P-576-48T/48T-S12C 576×265m, 576 Fibers Capacity, 48 Trays, 6 Port, Enclosure , w/o Mounting Kits
Model No.	YT01053 SSC-492250-6P-288-24T/48T-S12C 576×265m, 288 Fibers Capacity, 24 Trays, 6 Port, Enclosure , w/o Mounting Kits
Model No.	YT01054 SSC-492250-6P-144-12T/48T-S12C 492×265m, 144 Fibers Capacity, 12 Trays, 6 Port, Enclosure , w/o Mounting Kits
Spliced Fiber Storage Capacity	576 splices (48×12)
Size Height x Diameter	492mm x 250mm (w/o clamp), 492mm x 300mm (w/ clamp)
Cable Ports	1 oval port (30mm), 6 round ports (30mm)

Model No.	Wall Mounting Kit - 2 Pole Mounting Kit - 2
------------------	--

288F Fiber Optic Splice Closures

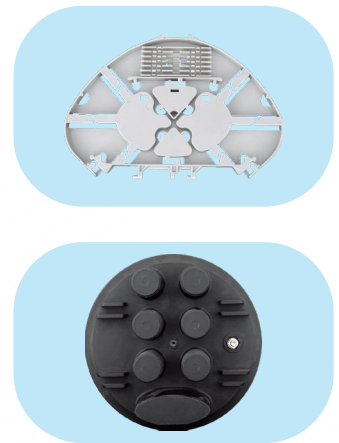
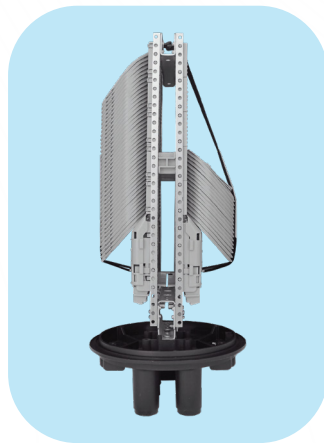
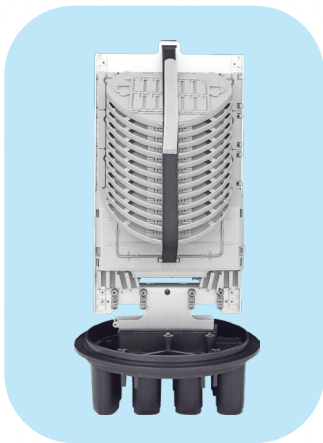
Single Element Max: 24 Trays, 24x12 Fibers

FEATURES

- ~ Modular capacity up to **288 fibers**.
- ~ May be used for cut, uncut and taut sheath applications.
- ~ May be used for all fiber optic cable.
- ~ Sheath retention & central strength member fasten system included.
- ~ Closure construction and lightweight plastic provides strength and resistance to chemical and U.V attack.
- ~ Installation and reentry with a minimum of tools.
- ~ All hardware are included.
- ~ Protection class: **IP68**.
- ~ RoHS compliance.



APPLICATION



SPECIFICATIONS

Model No.	YT01055 SSC-492250-6P-288-24T/24T-SE 492x265m, 288 Fibers Capacity, 24 Trays, 6 Port, Enclosure , w/o Mounting Kits
Model No.	YT00965 SSC-492250-6P-144-12T/24T-SE 492x265m, 144 Fibers Capacity, 12 Trays, 6 Port, Enclosure , w/o Mounting Kits
Model No.	YT01056 SSC-492250-6P-96-8T/24T-SE 492x265m, 96 Fibers Capacity, 8 Trays, 6 Port, Enclosure , w/o Mounting Kits
Spliced Fiber Storage Capacity	288 splices (24x12)
Size Height x Diameter	492mm x 250mm (w/o clamp), 492mm x 300mm (w/ clamp)
Cable Ports	1 oval port (30mm), 6 round ports (30mm)

Model No.	Wall Mounting Kit - 2 Pole Mounting Kit - 2
-----------	--

288F Fiber Optic Splice Closures

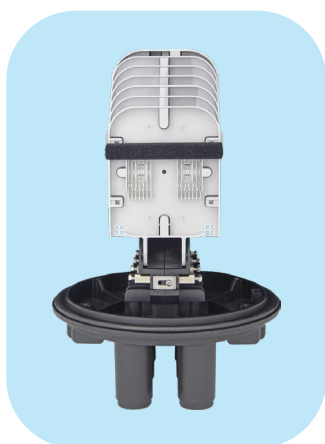
Single Circuit Max: 48 Trays, 48×12 Fibers

FEATURES

- ~ Modular capacity up to **288 fibers**.
- ~ May be used for cut, uncut and taut sheath applications.
- ~ May be used for all fiber optic cable.
- ~ Sheath retention & central strength member fasten system included.
- ~ Closure construction and lightweight plastic provides strength and resistance to chemical and U.V attack.
- ~ Installation and reentry with a minimum of tools.
- ~ All hardware are included.
- ~ Protection class: **IP68**.
- ~ RoHS compliance.



APPLICATION



SPECIFICATIONS

Model No.	YT01057 SSC-361250-6P-288-12T/12T-T059A 576×265m, 576 Fibers Capacity, 48 Trays, 6 Port, Enclosure , w/o Mounting Kits
Model No.	YT01058 SSC-361250-6P-144-6T/12T-T059A 576×265m, 288 Fibers Capacity, 24 Trays, 6 Port, Enclosure , w/o Mounting Kits
Spliced Fiber Storage Capacity	288 splices (12×24)
Size Height x Diameter	361mm x 250mm (w/o clamp), 361mm x 300mm (w/ clamp)
Cable Ports	1 oval port (30mm), 6 round ports (30mm)

Model No.	Wall Mounting Kit - 2 Pole Mounting Kit - 2
-----------	--

144F Fiber Optic Splice Closures

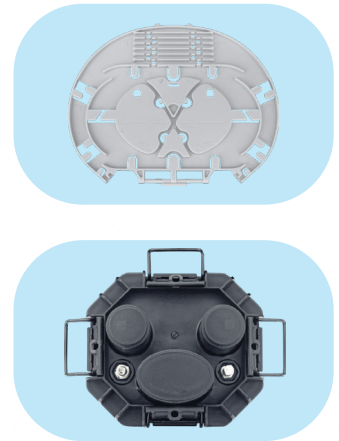
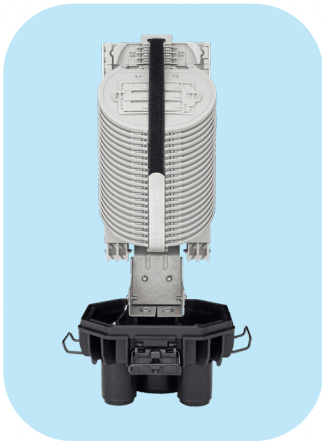
Single Circuit Max: 24 Trays, 24×6 Fibers

FEATURES

- ~ Modular capacity up to **144 fibers**.
- ~ May be used for cut, uncut and taut sheath applications.
- ~ May be used for all fiber optic cable.
- ~ Sheath retention & central strength member fasten system included.
- ~ Closure construction and lightweight plastic provides strength and resistance to chemical and U.V attack.
- ~ Installation and reentry with a minimum of tools.
- ~ All hardware are included.
- ~ Protection class: **IP68**.
- ~ RoHS compliance.



APPLICATION



SPECIFICATIONS

Model No.	YT01059 SSC-420180-2P-144-24T/24T-T6SC 420×180m, 144 Fibers Capacity, 24 Trays, 2 Port, Enclosure , w/o Mounting Kits
Model No.	YT01060 SSC-420180-2P-96-16T/24T-T6SC 420×180m, 96 Fibers Capacity, 16 Trays, 2 Port, Enclosure , w/o Mounting Kits
Spliced Fiber Storage Capacity	144 splices (24×6)
Size Height x Width x Depth	420mm x 180mm x 150mm
Cable Ports	1 oval port (20mm), 2 round ports (30mm)

Model No.	Wall Mounting Kit - 1 Pole Mounting Kit - 1
-----------	--

288F Fiber Optic Splice Closures

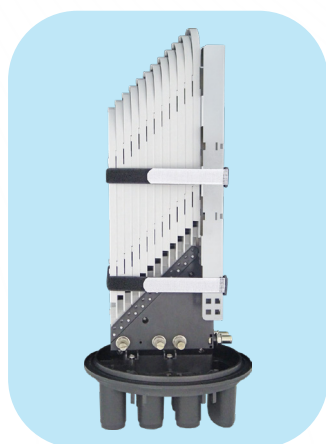
12 Trays, 12×24 Fibers

FEATURES

- ~ May be used for cut, uncut and taut sheath applications.
- ~ May be used for all fiber optic cable.
- ~ Sheath retention & central strength member fasten system included.
- ~ Closure construction and lightweight plastic provides strength and resistance to chemical and U.V attack.
- ~ Installation and reentry with a minimum of tools.
- ~ All hardware are included.
- ~ Protection class: **IP68**.
- ~ RoHS compliance.



APPLICATION



SPECIFICATIONS

Model No.	YT01028 SSC-566250-6P-288-12T/12T-T102A 566×250mm, 288 Fibers Capacity, 12 Trays, 6 Port, Enclosure , w/o Mounting Kits
Spliced Fiber Storage Capacity	288 splices (12×24)
Size Height x Diameter	566mm x 250mm (w/o clamp), 566mm x 300mm (w/ clamp)
Cable Ports	1 oval port (30mm), 6 round ports (30mm)

Model No.	Wall Mounting Kit - 2 Pole Mounting Kit - 2
------------------	--

864F Fiber Optic Splice Closures

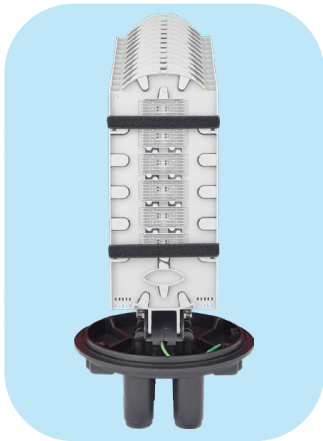
12 Trays, 12x72 Fibers

FEATURES

- ~ May be used for cut, uncut and taut sheath applications.
- ~ May be used for all fiber optic cable.
- ~ Sheath retention & central strength member fasten system included.
- ~ Closure construction and lightweight plastic provides strength and resistance to chemical and U.V attack.
- ~ Installation and reentry with a minimum of tools.
- ~ All hardware are included.
- ~ Protection class: **IP68**.
- ~ RoHS compliance.



APPLICATION



SPECIFICATIONS

Model No.	YT01036 SSC-566250-6P-864-12T/12T-T222 566x250mm, 864 Fibers Capacity, 12 Trays, 6 Port, Enclosure , w/o Mounting Kits
Spliced Fiber Storage Capacity	864 splices (12x72)
Size Height x Diameter	566mm x 250mm (w/o clamp), 566mm x 300mm (w/ clamp)
Cable Ports	1 oval port (30mm), 6 round ports (30mm)

Model No.	Wall Mounting Kit - 2 Pole Mounting Kit - 2
------------------	--

144F Fiber Optic Splice Closures

6 Trays, 6×24 Fibers

FEATURES

- ~ May be used for cut, uncut and taut sheath applications.
- ~ May be used for all fiber optic cable.
- ~ Sheath retention & central strength member fasten system included.
- ~ Closure construction and lightweight plastic provides strength and resistance to chemical and U.V attack.
- ~ Installation and reentry with a minimum of tools.
- ~ All hardware are included.
- ~ Protection class: **IP68**.
- ~ RoHS compliance.



APPLICATION



SPECIFICATIONS

Model No.	YT00973 SSC-540170-4P-144-6T/6T-T102A 540×170m, 144 Fibers Capacity, 6 Trays, 4 Port, Enclosure , w/o Mounting Kits
Spliced Fiber Storage Capacity	144 splices (6×24)
Size Height x Diameter	540mm x 170mm (w/o clamp) 540mm x 220mm (w/ clamp)
Cable Ports	1 oval port (25mm), 4 round ports (20mm)

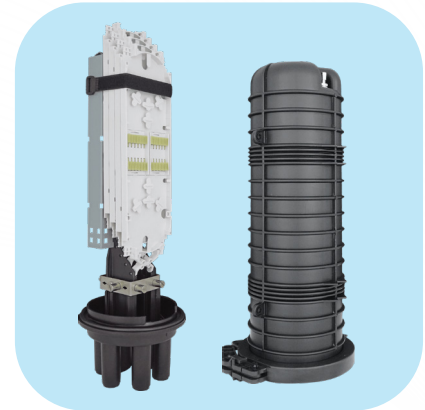
Model No.	Wall Mounting Kit - 1 Wall Mounting Kit - 2 Wall Mounting Kit - 3 Pole Mounting Kit - 1 Pole Mounting Kit - 2 Pole Mounting Kit - 3
------------------	--

96F Fiber Optic Splice Closures

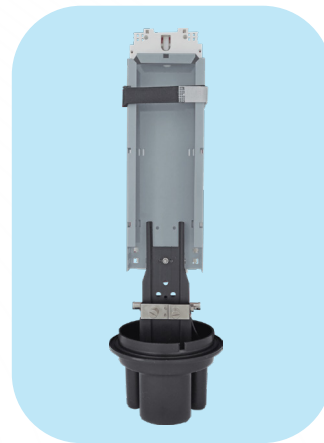
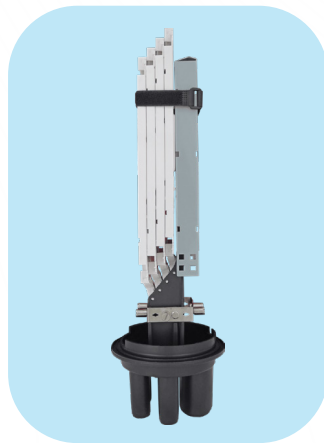
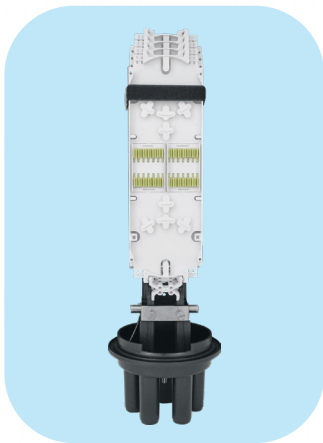
4 Trays, 4x24 Fibers

FEATURES

- ~ May be used for cut, uncut and taut sheath applications.
- ~ May be used for all fiber optic cable.
- ~ Sheath retention & central strength member fasten system included.
- ~ Closure construction and lightweight plastic provides strength and resistance to chemical and U.V attack.
- ~ Installation and reentry with a minimum of tools.
- ~ All hardware are included.
- ~ Protection class: **IP68**.
- ~ RoHS compliance.



APPLICATION



SPECIFICATIONS

Model No.	YT00962 SSC-540170-4P-96-4T/4T-T102A 540x170mm, 96 Fibers Capacity, 4 Trays, 4 Port, Enclosure , w/o Mounting Kits
Spliced Fiber Storage Capacity	96 splices (4x24)
Size Height x Width x Depth	540mm x 170mm (w/o clamp) 540mm x 220mm (w/ clamp)
Cable Ports	1 oval port (25mm), 4 round ports (20mm)

Model No.	Wall Mounting Kit - 1 Wall Mounting Kit - 2 Wall Mounting Kit - 3 Pole Mounting Kit - 1 Pole Mounting Kit - 2 Pole Mounting Kit - 3
------------------	--

144F Fiber Optic Splice Closures

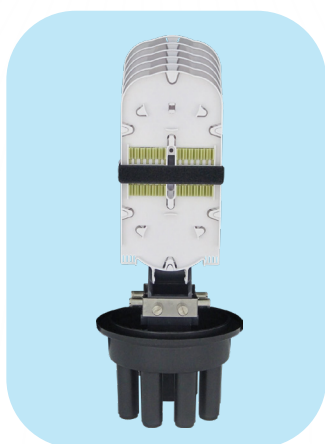
6 Trays, 6x24 Fibers

FEATURES

- ~ May be used for cut, uncut and taut sheath applications.
- ~ May be used for all fiber optic cable.
- ~ Sheath retention & central strength member fasten system included.
- ~ Closure construction and lightweight plastic provides strength and resistance to chemical and U.V attack.
- ~ Installation and reentry with a minimum of tools.
- ~ All hardware are included.
- ~ Protection class: **IP68**.
- ~ RoHS compliance.



APPLICATION



SPECIFICATIONS

Model No.	YT01061 SSC-450175-4P-144-6T/7T-T204B 450x175m, 144 Fibers Capacity, 6 Trays, 4 Port, Enclosure , w/o Mounting Kits
Spliced Fiber Storage Capacity	144 splices (6x24)
Size Height x Diameter	450mm x 175mm (w/o clamp), 450mm x 230mm (w/ clamp)
Cable Ports	1 oval port (24mm), 4 round ports (17.5mm)

Model No.	Wall Mounting Kit - 1 Wall Mounting Kit - 2 Wall Mounting Kit - 3 Pole Mounting Kit - 1 Pole Mounting Kit - 2 Pole Mounting Kit - 3
------------------	--

144F Fiber Optic Splice Closures

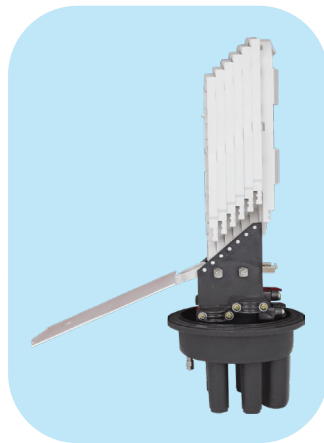
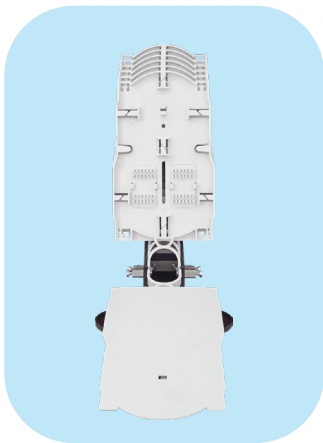
6 Trays, 6x24 Fibers

FEATURES

- ~ May be used for cut, uncut and taut sheath applications.
- ~ May be used for all fiber optic cable.
- ~ Sheath retention & central strength member fasten system included.
- ~ Closure construction and lightweight plastic provides strength and resistance to chemical and U.V attack.
- ~ Installation and reentry with a minimum of tools.
- ~ All hardware are included.
- ~ Protection class: **IP68**.
- ~ RoHS compliance.



APPLICATION



SPECIFICATIONS

Model No.	YT01062 SSC-450175-4P-144-6T/6T-T204A 450x175mm, 144 Fibers Capacity, 6 Trays, 4 Port, Enclosure , w/o Mounting Kits
Spliced Fiber Storage Capacity	144 splices (6x24)
Size Height x Diameter	450mm x 175mm (w/o clamp), 450mm x 230mm (w/ clamp)
Cable Ports	1 oval port (24mm), 4 round ports (17.5mm)

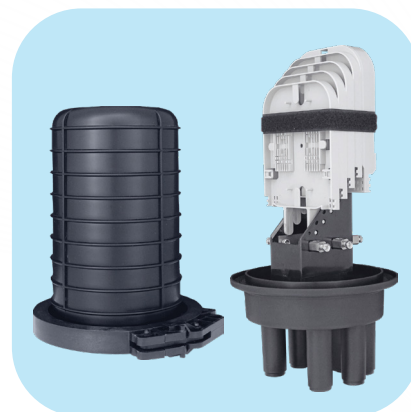
Model No.	Wall Mounting Kit - 1 Wall Mounting Kit - 2 Wall Mounting Kit - 3 Pole Mounting Kit - 1 Pole Mounting Kit - 2 Pole Mounting Kit - 3
------------------	--

96F Fiber Optic Splice Closures

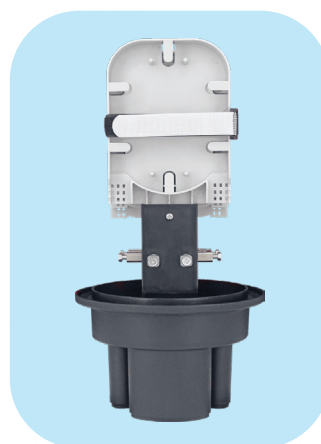
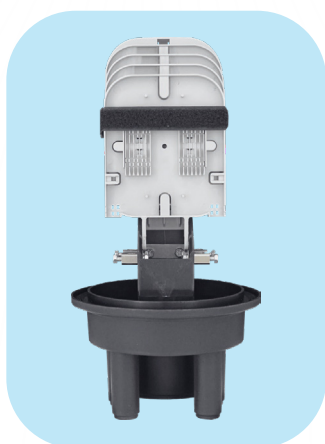
4 Trays, 4x24 Fibers

FEATURES

- ~ May be used for cut, uncut and taut sheath applications.
- ~ May be used for all fiber optic cable.
- ~ Sheath retention & central strength member fasten system included.
- ~ Closure construction and lightweight plastic provides strength and resistance to chemical and U.V attack.
- ~ Installation and reentry with a minimum of tools.
- ~ All hardware are included.
- ~ Protection class: **IP68**.
- ~ RoHS compliance.



APPLICATION



SPECIFICATIONS

Model No.	YT00961 SSC-345175-4P-96-4T/4T-T059A 345x175m, 96 Fibers Capacity, 4 Trays, 4 Port, Enclosure , w/o Mounting Kits
Spliced Fiber Storage Capacity	96 splices (4x24)
Size Height x Diameter	345mm x 175mm (w/o clamp), 345mm x 230mm (w/ clamp)
Cable Ports	1 oval port (24mm), 4 round ports (17.5mm)

Model No.	Wall Mounting Kit - 1 Wall Mounting Kit - 2 Wall Mounting Kit - 3 Pole Mounting Kit - 1 Pole Mounting Kit - 2 Pole Mounting Kit - 3
------------------	--

48F Fiber Optic Splice Closures

4 Trays, 4x12 Fibers

FEATURES

- ~ May be used for cut, uncut and taut sheath applications.
- ~ May be used for all fiber optic cable.
- ~ Sheath retention & central strength member fasten system included.
- ~ Closure construction and lightweight plastic provides strength and resistance to chemical and U.V attack.
- ~ Installation and reentry with a minimum of tools.
- ~ All hardware are included.
- ~ Protection class: **IP68**.
- ~ RoHS compliance.



APPLICATION



SPECIFICATIONS

Model No.	YT00964 SSC-245172-3P-48-4T/4T-T037 245x172mm, 48 Fibers Capacity, 4 Trays, 3 Port, Enclosure , w/o Mounting Kits
Spliced Fiber Storage Capacity	48 splices (4x12)
Size Height x Width x Depth	245mm x 172mm x 138mm
Cable Ports	1 oval port (20mm), 3 round ports (15mm)

Model No.	Wall Mounting Kit - 1 Pole Mounting Kit - 1
------------------	--

48F Fiber Optic Splice Closures

4 Trays, 4×12 Fibers

FEATURES

- ~ May be used for cut, uncut and taut sheath applications.
- ~ May be used for all fiber optic cable.
- ~ Sheath retention & central strength member fasten system included.
- ~ Closure construction and lightweight plastic provides strength and resistance to chemical and U.V attack.
- ~ Installation and reentry with a minimum of tools.
- ~ All hardware are included.
- ~ Protection class: **IP68**.
- ~ RoHS compliance.



APPLICATION



SPECIFICATIONS

Model No.	YT00960 SSC-290140-3P-48-4T/4T-T209A 290×140mm, 48 Fibers Capacity, 4 Trays, 3 Port, Enclosure , w/o Mounting Kits
Spliced Fiber Storage Capacity	48 splices (4×12)
Size Height x Diameter	290mm x 140mm (w/o clamp), 290mm x 180mm (w clamp)
Cable Ports	1 oval port (20mm), 3 round ports (15mm)

Model No.	Wall Mounting Kit - 1, Wall Mounting Kit - 2, Wall Mounting Kit - 3 Pole Mounting Kit - 1, Pole Mounting Kit - 2, Pole Mounting Kit - 3
------------------	--

Mounting Kits

Pole Mounting Kits

POLE MOUNTING KIT - 1

AVAILABLE PRODUCT

- ~ SSC-420180-2P-144-24T/24T-T6SC *
- ~ SSC-540170-4P-144-6T/6T-T102A
- ~ SSC-540170-4P-96-4T/4T-T102A
- ~ SSC-450175-4P-144-6T/6T-T204A
- ~ SSC-450175-4P-144-6T/7T-T204B
- ~ SSC-345175-4P-96-4T/4T-T059A
- ~ SSC-245172-3P-48-4T/4T-T037
- ~ SSC-290140-3P-48-4T/4T-T209A



POLE MOUNTING KIT - 2

AVAILABLE PRODUCT

- ~ SSC-576250-6P-576-48T/80T-S12C *
- ~ SSC-576250-6P-288-24T/40T-SE *
- ~ SSC-492250-6P-576-48T/48T-S12C *
- ~ SSC-492250-6P-288-24T/24T-SE *
- ~ SSC-361250-6P-288-12T/12T-T059A *
- ~ SSC-566250-6P-288-12T/12T-T102A
- ~ SSC-566250-6P-864-12T/12T-T222
- ~ SSC-540170-4P-144-6T/6T-T102A
- ~ SSC-540170-4P-96-4T/4T-T102A
- ~ SSC-450175-4P-144-6T/7T-T204A
- ~ SSC-450175-4P-144-6T/6T-T204B
- ~ SSC-345175-4P-96-4T/4T-T059A
- ~ SSC-290140-3P-48-4T/4T-T209A



POLE MOUNTING KIT - 3

AVAILABLE PRODUCT

- ~ SSC-540170-4P-144-6T/6T-T102A
- ~ SSC-540170-4P-96-4T/4T-T102A
- ~ SSC-450175-4P-144-6T/6T-T204A
- ~ SSC-450175-4P-144-6T/7T-T204B
- ~ SSC-345175-4P-96-4T/4T-T059A
- ~ SSC-290140-3P-48-4T/4T-T209A



Mounting Kits

Wall Mounting Kits

WALL MOUNTING KIT - 1

AVAILABLE PRODUCT

- ~ SSC-420180-2P-144-24T/24T-T6SC *
- ~ SSC-540170-4P-144-6T/6T-T102A
- ~ SSC-540170-4P-96-4T/4T-T102A
- ~ SSC-450175-4P-144-6T/6T-T204A
- ~ SSC-450175-4P-144-6T/7T-T204B
- ~ SSC-345175-4P-96-4T/4T-T059A
- ~ SSC-245172-3P-48-4T/4T-T037
- ~ SSC-290140-3P-48-4T/4T-T209A



WALL MOUNTING KIT - 2

AVAILABLE PRODUCT

- ~ SSC-576250-6P-576-48T/80T-S12C *
- ~ SSC-576250-6P-288-24T/40T-SE *
- ~ SSC-492250-6P-576-48T/48T-S12C *
- ~ SSC-492250-6P-288-24T/24T-SE *
- ~ SSC-361250-6P-288-12T/12T-T059A *
- ~ SSC-566250-6P-288-12T/12T-T102A
- ~ SSC-566250-6P-864-12T/12T-T222
- ~ SSC-540170-4P-144-6T/6T-T102A
- ~ SSC-540170-4P-96-4T/4T-T102A
- ~ SSC-450175-4P-144-6T/7T-T204A
- ~ SSC-450175-4P-144-6T/6T-T204B
- ~ SSC-345175-4P-96-4T/4T-T059A
- ~ SSC-290140-3P-48-4T/4T-T209A



WALL MOUNTING KIT - 3

AVAILABLE PRODUCT

- ~ SSC-540170-4P-144-6T/6T-T102A
- ~ SSC-540170-4P-96-4T/4T-T102A
- ~ SSC-450175-4P-144-6T/6T-T204A
- ~ SSC-450175-4P-144-6T/7T-T204B
- ~ SSC-345175-4P-96-4T/4T-T059A
- ~ SSC-290140-3P-48-4T/4T-T209A



16F Fiber Optic Inline Closure

HTSC-141A

FEATURES

- ~ Installation and re-entry with minimum of tools
- ~ Easy to be opened and closed
- ~ Re-enterable and reusable
- ~ All hardware is captivated
- ~ Capable of loading 1:8, 1:16 PLC splitter
- ~ Max capacity: **16 SC adapters**

OPTIONAL ACCESSORIES

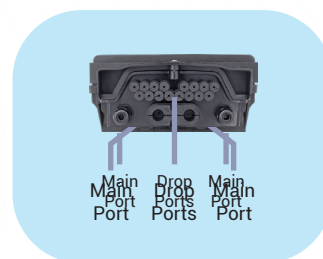
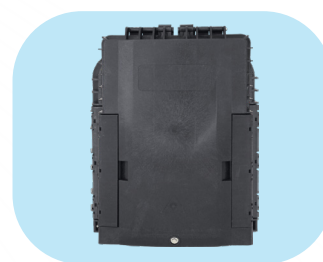
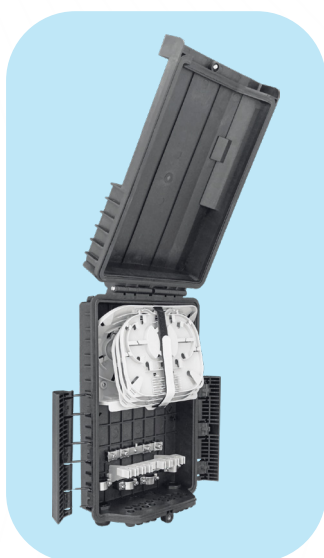
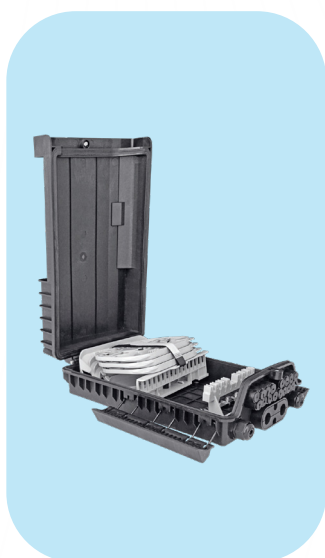
- ~ Duct mounting kits
- ~ Pole mounting kits
- ~ Pressure valve
- ~ Grounding device

COMPONENTS

- ~ Cover
- ~ Bottom
- ~ Seal gasket
- ~ Clamp
- ~ Splice Tray (with heat shrink sleeves)
- ~ Cable fixing device
- ~ Grounding wire
- ~ Nylon tie
- ~ Labeling paper
- ~ Buffer Tube
- ~ Installation tape

APPLICATION

- ~ Duct Mounting, Pole Mounting, Underground, Wall Mounting.



SPECIFICATIONS

Model No.	HTSC-141A
Size (L x W x H)	305mm x 216mm x 107mm
Spliced Fiber Capacity	Standard fiber 16 splices
Adapter	Max. 16 SC adapter
Cable Ports	Main cables : 4 ports Drop cables : 16 ports
Max. Cable Diameter	Main cables : 12mm Drop cables : 3mm / 3x2mm

16F Fiber Optic Inline Closure

HTSC-141A

FEATURES

- ~ Installation and re-entry with minimum of tools
- ~ Easy to be opened and closed
- ~ Re-enterable and reusable
- ~ All hardware is captivated
- ~ Capable of loading 1:8, 1:16 PLC splitter
- ~ Max capacity: **16 SC adapters**

OPTIONAL ACCESSORIES

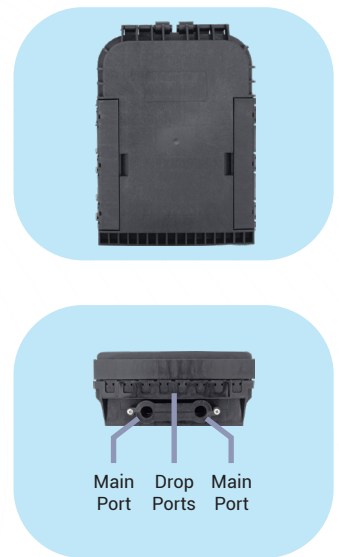
- ~ Duct mounting kits
- ~ Pole mounting kits
- ~ Pressure valve
- ~ Grounding device

COMPONENTS

- ~ Cover
- ~ Bottom
- ~ Seal gasket
- ~ Clamp
- ~ Splice Tray (with heat shrink sleeves)
- ~ Cable fixing device
- ~ Grounding wire
- ~ Nylon tie
- ~ Labeling paper
- ~ Buffer Tube
- ~ Installation tape

APPLICATION

- ~ Duct Mounting, Pole Mounting, Underground, Wall Mounting.



Main Port Drop Ports Main Port

SPECIFICATIONS

Model No.	HTSC-141A
Size (L x W x H)	305mm x 216mm x 107mm
Spliced Fiber Capacity	Standard fiber 16 splices
Adapter	Max. 16 SC adapter
Cable Ports	Main cables : 4 ports Drop cables : 16 ports
Max. Cable Diameter	Main cables : 12mm Drop cables : 3mm / 3x2mm

16F Fiber Optic Inline Closure

HTSC-141A

FEATURES

- ~ Installation and re-entry with minimum of tools
- ~ Easy to be opened and closed
- ~ Re-enterable and reusable
- ~ All hardware is captivated
- ~ Capable of loading 1:8, 1:16 PLC splitter
- ~ Max capacity: **16 SC adapters**

OPTIONAL ACCESSORIES

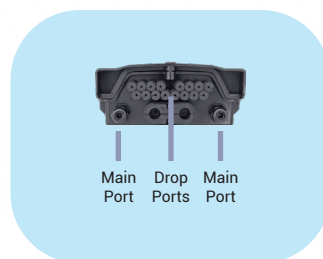
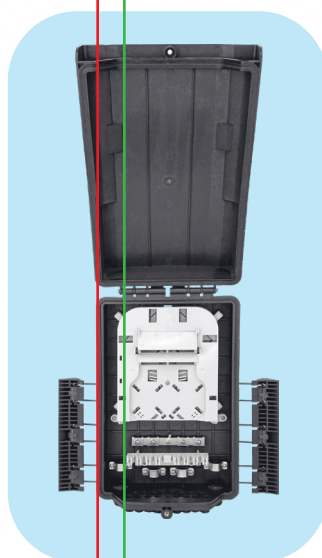
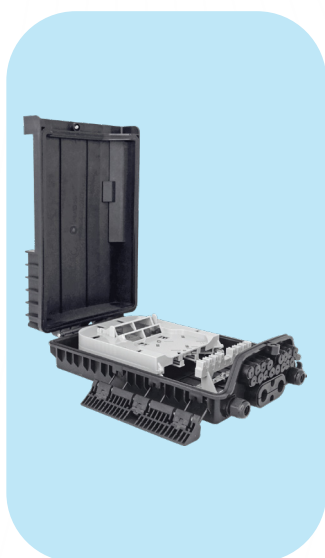
- ~ Duct mounting kits
- ~ Pole mounting kits
- ~ Pressure valve
- ~ Grounding device

COMPONENTS

- ~ Cover
- ~ Bottom
- ~ Seal gasket
- ~ Clamp
- ~ Splice Tray (with heat shrink sleeves)
- ~ Cable fixing device
- ~ Grounding wire
- ~ Nylon tie
- ~ Labeling paper
- ~ Buffer Tube
- ~ Installation tape

APPLICATION

- ~ Duct Mounting, Pole Mounting, Underground, Wall Mounting.



SPECIFICATIONS

Model No.	HTSC-141A
Size (L x W x H)	305mm x 216mm x 107mm
Spliced Fiber Capacity	Standard fiber 16 splices
Adapter	Max. 16 SC adapter
Cable Ports	Main cables : 4 ports Drop cables : 16 ports
Max. Cable Diameter	Main cables : 12mm Drop cables : 3mm / 3x2mm

16F Fiber Optic Inline Closure

HTSC-141A

FEATURES

- ~ Installation and re-entry with minimum of tools
- ~ Easy to be opened and closed
- ~ Re-enterable and reusable
- ~ All hardware is captivated
- ~ Capable of loading 1:8, 1:16 PLC splitter
- ~ Max capacity: **16 SC adapters**

OPTIONAL ACCESSORIES

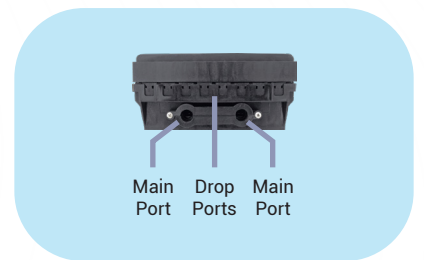
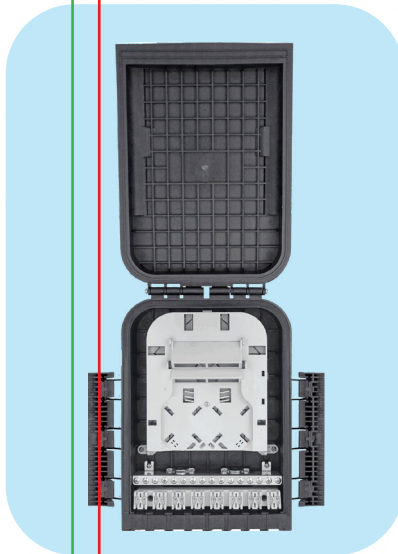
- ~ Duct mounting kits
- ~ Pole mounting kits
- ~ Pressure valve
- ~ Grounding device

COMPONENTS

- ~ Cover
- ~ Bottom
- ~ Seal gasket
- ~ Clamp
- ~ Splice Tray (with heat shrink sleeves)
- ~ Cable fixing device
- ~ Grounding wire
- ~ Nylon tie
- ~ Labeling paper
- ~ Buffer Tube
- ~ Installation tape

APPLICATION

- ~ Duct Mounting, Pole Mounting, Underground, Wall Mounting.



SPECIFICATIONS

Model No.	HTSC-141A
Size (L x W x H)	305mm x 216mm x 107mm
Spliced Fiber Capacity	Standard fiber 16 splices
Adapter	Max. 16 SC adapter
Cable Ports	Main cables : 4 ports Drop cables : 16 ports
Max. Cable Diameter	Main cables : 12mm Drop cables : 3mm / 3x2mm

16F Fiber Optic Inline Closure

HTSC-141A

FEATURES

- ~ Installation and re-entry with minimum of tools
- ~ Easy to be opened and closed
- ~ Re-enterable and reusable
- ~ All hardware is captivated
- ~ Capable of loading 1:8, 1:16 PLC splitter
- ~ Max capacity: **16 SC adapters**

OPTIONAL ACCESSORIES

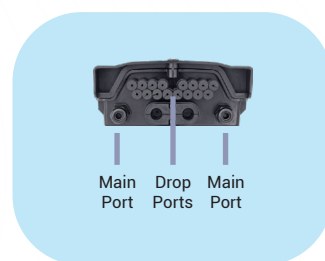
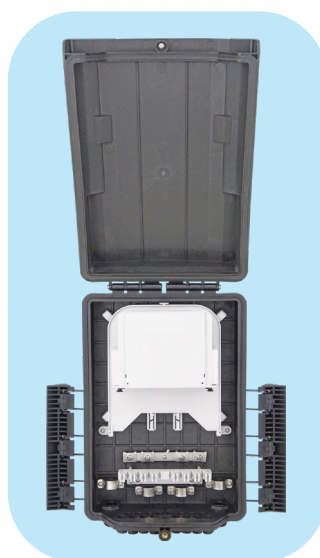
- ~ Duct mounting kits
- ~ Pole mounting kits
- ~ Pressure valve
- ~ Grounding device

COMPONENTS

- ~ Cover
- ~ Bottom
- ~ Seal gasket
- ~ Clamp
- ~ Splice Tray (with heat shrink sleeves)
- ~ Cable fixing device
- ~ Grounding wire
- ~ Nylon tie
- ~ Labeling paper
- ~ Buffer Tube
- ~ Installation tape

APPLICATION

- ~ Duct Mounting, Pole Mounting, Underground, Wall Mounting.



SPECIFICATIONS

Model No.	HTSC-141A
Size (L x W x H)	305mm x 216mm x 107mm
Spliced Fiber Capacity	Standard fiber 16 splices
Adapter	Max. 16 SC adapter
Cable Ports	Main cables : 4 ports Drop cables : 16 ports
Max. Cable Diameter	Main cables : 12mm Drop cables : 3mm / 3x2mm

16F Fiber Optic Inline Closure

HTSC-141A

FEATURES

- ~ Installation and re-entry with minimum of tools
- ~ Easy to be opened and closed
- ~ Re-enterable and reusable
- ~ All hardware is captivated
- ~ Capable of loading 1:8, 1:16 PLC splitter
- ~ Max capacity: **16 SC adapters**

OPTIONAL ACCESSORIES

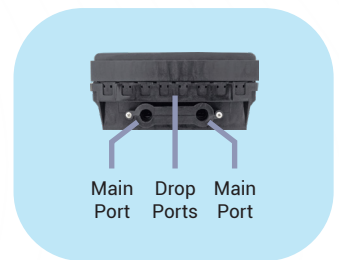
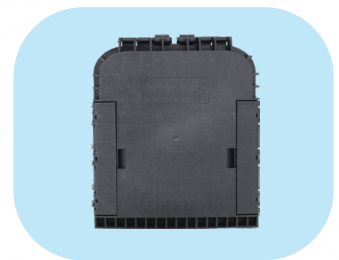
- ~ Duct mounting kits
- ~ Pole mounting kits
- ~ Pressure valve
- ~ Grounding device

COMPONENTS

- ~ Cover
- ~ Bottom
- ~ Seal gasket
- ~ Clamp
- ~ Splice Tray (with heat shrink sleeves)
- ~ Cable fixing device
- ~ Grounding wire
- ~ Nylon tie
- ~ Labeling paper
- ~ Buffer Tube
- ~ Installation tape

APPLICATION

- ~ Duct Mounting, Pole Mounting, Underground, Wall Mounting.



SPECIFICATIONS

Model No.	HTSC-141A
Size (L x W x H)	305mm x 216mm x 107mm
Spliced Fiber Capacity	Standard fiber 16 splices
Adapter	Max. 16 SC adapter
Cable Ports	Main cables : 4 ports Drop cables : 16 ports
Max. Cable Diameter	Main cables : 12mm Drop cables : 3mm / 3x2mm

2F Indoor Termination Box

4 Fiber Splice Capacity, 2 Patch Ports

ITB-10583-2SC-4S-3P is a compact fiber terminal for use at the final fiber termination point in the customer premises.

The ITB-10583-2SC-4S-3P provides mechanical protection and managed fiber control in an attractive format suitable for use inside customer premises.

A variety of possible fiber termination techniques are accommodated.

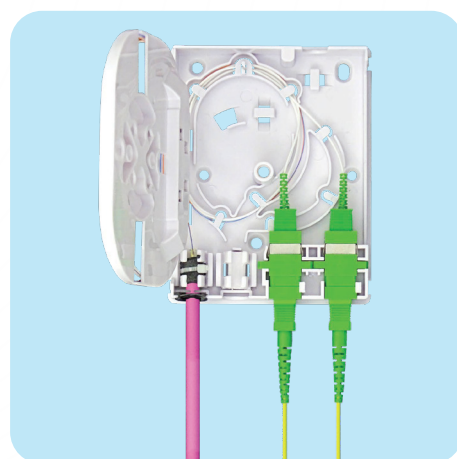
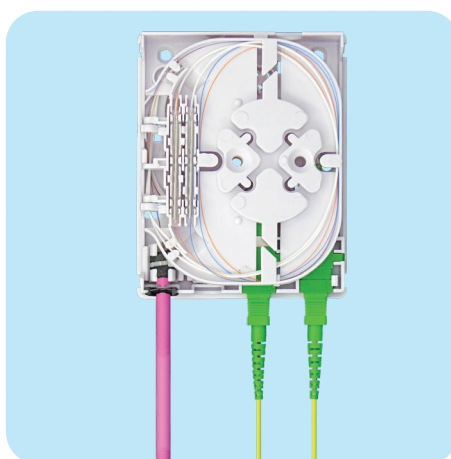
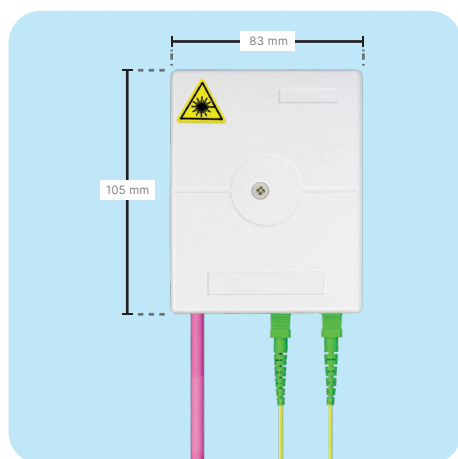
FEATURES

- ~ Ergonomically & compact design
- ~ Ability to allow cables to enter from rear or bottom of the unit
- ~ Removable cover for easy access
- ~ Indoor use for small and large business premises
- ~ Easy re-entry with a minimum of tools, time and cost
- ~ Up to 4 cores (heat shrink) or 2 cores (3M mechanical splices)
- ~ Can hold 2 SC simplex adaptor or 2 LC duplex adaptor
- ~ Can be used for Blown Tube cable or common cables
- ~ ROHS compliance

SPECIFICATIONS

Model No.	ITB-10583-2SC-4S-3P 4 Splice Capacity, 2 SC Adapters, 3 Drop Ports
Model No.	ITB-10583-4LC-4S-3P 4 Splice Capacity, 4 LC Adapters, 3 Drop Ports
Spliced Fiber Capacity	4 splices
Size H x L x W	105mm x 83mm x 24mm
Cable Ports	2 patch ports, 3 round ports (10mm)

APPLICATION



480F Fiber Optic Splice Closures

Single Element Max: 40 Trays, 40x12 Fibers

ITB-11080-1SC-1RJ45-2S-3P is a very compact termination box for maximum 2 FO connectors and 1 RJ-45 or RJ-11 copper connector.

The box provides mechanical protection for the fiber and permits appropriate access while maintaining the highest standards of fiber management. The box is typically used at the customer premises in the termination part of the access network

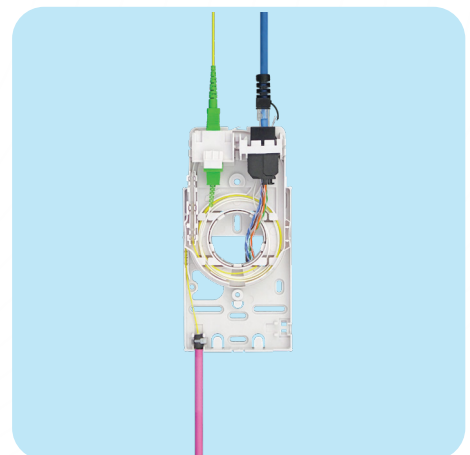
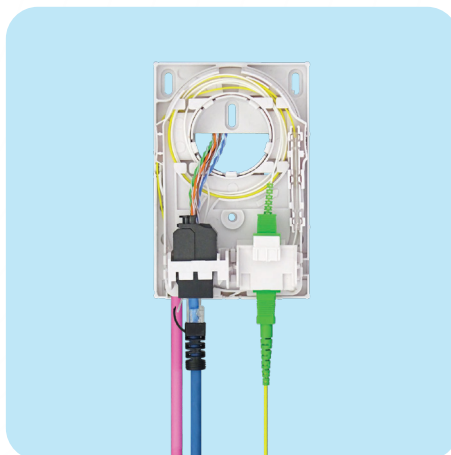
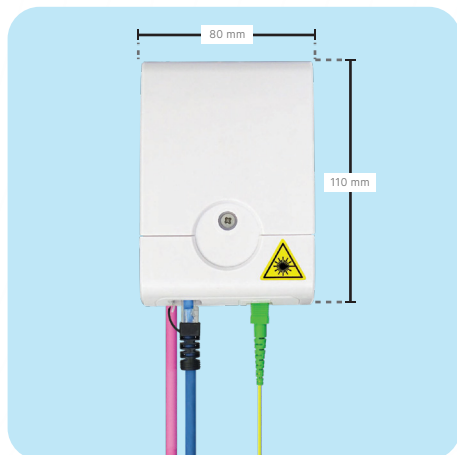
FEATURES

- ~ Can be used flush mounted or surface mounted
- ~ Compatible with almost any standard electricity box
- ~ Compatible with 250 micron and 900 micron fiber types
- ~ Removable fiber organizer system for easy installation
- ~ Can be used with field installable connectors or fusion splices
- ~ Guaranteed minimum bending radius of 20mm
- ~ One SC or duplex LC connector footprint
- ~ Splice-through allows moving access points within the premise
- ~ Provide a clean upgrade path from copper to fiber
- ~ Environmental friendly materials, low smoke zero halogen
- ~ Cable entry points : back, bottom, side

SPECIFICATIONS

Model No.	ITB-11080-1SC-1RJ45-2S-3P 2 Splice Capacity, 1 SC + 1 RJ45 Adapters, 3 Drop Ports
Model No.	ITB-11080-2LC-1RJ45-2S-3P 2 Splice Capacity, 2 LC + 1 RJ45 Adapters, 3 Drop Ports
Spliced Fiber Capacity	2 splices
Size H x L x W	110mm x 80mm x 24mm
Cable Ports	2 patch ports, 3 round ports (10mm)

APPLICATION



2F Indoor Termination Box

4 Fiber Splice Capacity, 2 Patch Ports

ITB-10885-2SC-4S-3P is a compact fiber terminal for use at the final fiber termination point in the customer premises.

The ITB-10885-2SC-4S-3P provides mechanical protection and managed fiber control in an attractive format suitable for use inside customer premises.

A variety of possible fiber termination techniques are accommodated.

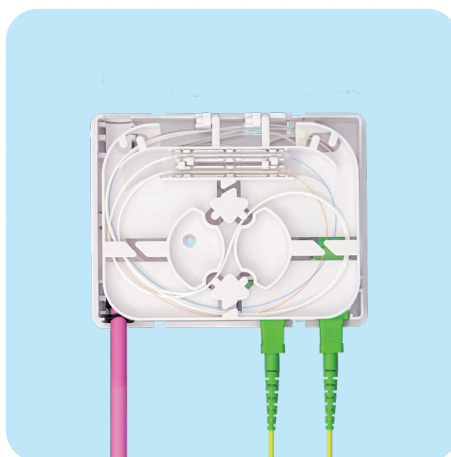
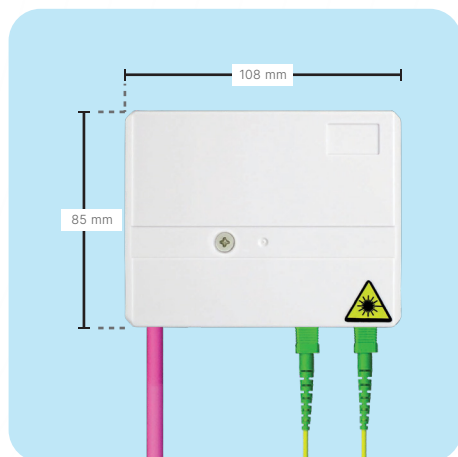
FEATURES

- ~ Ergonomically & compact design
- ~ Ability to allow cables to enter from rear or bottom of the unit
- ~ Removable cover for easy access
- ~ Indoor use for small and large business premises
- ~ Easy re-entry with a minimum of tools, time and cost
- ~ Up to 4 cores (heat shrink) or 2 cores (3M mechanical splices)
- ~ Can hold 2 SC simplex adaptor or 2 LC duplex adaptor
- ~ Can be used for Blown Tube cable or common cables
- ~ ROHS compliance

SPECIFICATIONS

Model No.	ITB-10885-2SC-4S-3P 4 Splice Capacity, 2 SC Adaptors, 3 Drop Ports
Model No.	ITB-10885-4LC-4S-3P 4 Splice Capacity, 4 LC Adaptors, 3 Drop Ports
Spliced Fiber Capacity	4 splices
Size H x L x W	108mm x 85mm x 27mm
Cable Ports	2 patch ports, 3 round ports (10mm)

APPLICATION



4F Indoor Termination Box

4 Fiber Splice Capacity, 4 Patch Ports

ITB-10785-4SC-4S-3P is a compact fiber terminal for use at the final fiber termination point in the customer premises.

The ITB-10785-4SC-4S-3P provides mechanical protection and managed fiber control in an attractive format suitable for use inside customer premises.

A variety of possible fiber termination techniques are accommodated.

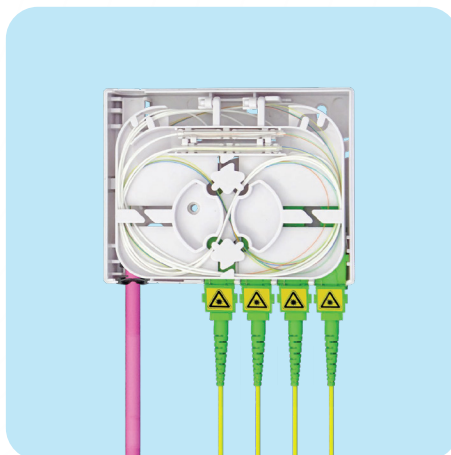
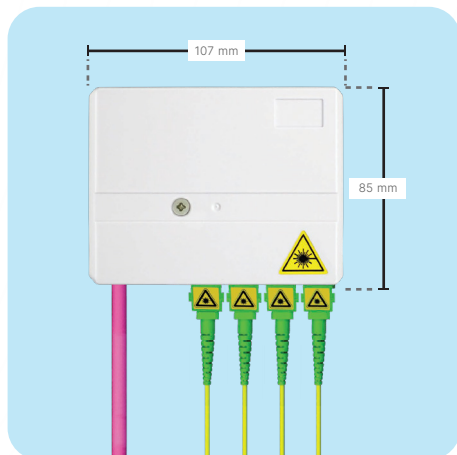
FEATURES

- ~ Ergonomically & compact design
- ~ Ability to allow cables to enter from rear or bottom of the unit
- ~ Removable cover for easy access
- ~ Indoor use for small and large business premises
- ~ Easy re-entry with a minimum of tools, time and cost
- ~ Up to 4 cores (heat shrink) or 2 cores (3M mechanical splices)
- ~ Can hold 2 SC simplex adaptor or 2 LC duplex adaptor
- ~ Can be used for Blown Tube cable or common cables
- ~ ROHS compliance

SPECIFICATIONS

Model No.	ITB-10785-4SC-4S-3P 4 Splice Capacity, 4 SC Adaptors, 3 Drop Ports
Spliced Fiber Capacity	4 splices
Size H x L x W	107mm x 85mm x 26mm
Cable Ports	4 patch ports, 3 round ports (10mm)

APPLICATION



4F Fiber Optic Indoor Termination Box

4 Fiber Splice Capacity, 4 Patch Ports

ITB-210140-4SC-4S-4P is a compact fiber terminal for use at the final fiber termination point in the customer premises.

The ITB-210140-4SC-4S-4P provides mechanical protection and managed fiber control in an attractive format suitable for use inside customer premises.

A variety of possible fiber termination techniques are accommodated.

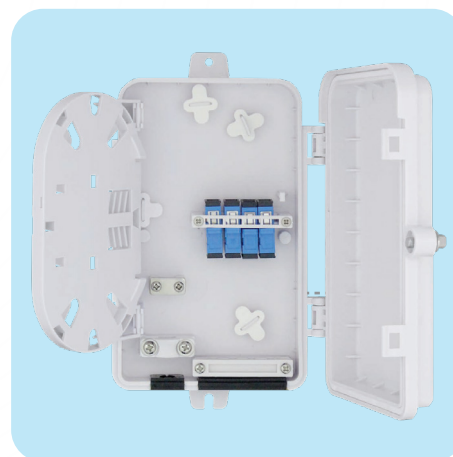
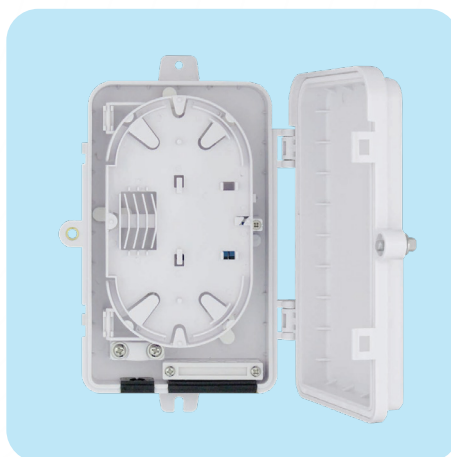
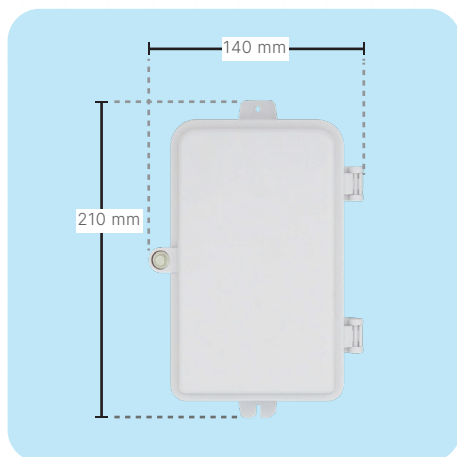
FEATURES

- ~ Ergonomically & compact design
- ~ Bottom cable entry
- ~ Sideway front door
- ~ Indoor use for small and large business premises
- ~ Easy re-entry with a minimum of tools, time and cost
- ~ Up to 4 cores (heat shrink) or 2 cores (3M mechanical splices)
- ~ Can hold 4 SC simplex adaptors
- ~ Can be used for uncut cable loop
- ~ Reusable
- ~ UV resistant and weather proof
- ~ ROHS compliance

SPECIFICATIONS

Model No.	ITB-210140-4SC-4S-4P
Capacity	4 splices / 4 SC-SX
Splitter Capacity	PLC 1x 1/4
Cable Ports	1 cable port - max ø 8mm
Drop Cable	4 drop cable ports - max ø 3mm
Size H x L x W	210mm x 140mm x 40mm
Application	Wall mounted

APPLICATION



8F Fiber Optic Indoor Termination Box

48 Fiber Splice Capacity, 8 Patch Ports

ITB-226125-8SC-48S-8P is a compact fiber terminal for use at the final fiber termination point in the customer premises.

The ITB-226125-8SC-48S-8P provides mechanical protection and managed fiber control in an attractive format suitable for use inside customer premises.

A variety of possible fiber termination techniques are accommodated.

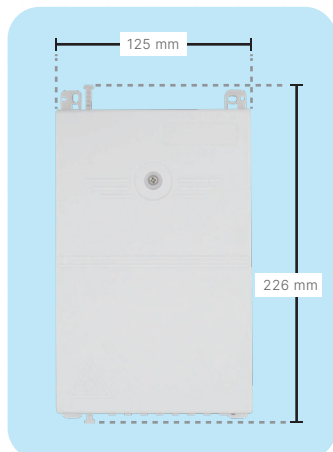
FEATURES

- ~ Free breathing box for indoor use
- ~ In-line and butt configuration possible for main cable
- ~ Wrap around cable seals for main cable and drops
- ~ Not required to cut loop-through fibers from riser cable
- ~ Compatible with mechanical splice, heat shrink sleeves
- ~ LSZH material
- ~ Transient free customer provisioning
- ~ Drop cables are terminated individually
- ~ Separate storage of un-connected fibers from spliced drop fibers
- ~ Possibility to integrate PON splitters
- ~ Easy drop cable termination on strain relief device

SPECIFICATIONS

Model No.	ITB-226125-8SC-48S-8P
Capacity	48 splices / 8 SC-SX
Splitter Capacity	PLC 2x 1/4 or 1x 1/8
Cable Ports	2 cable ports - max ø 8mm
Drop Cable	8 drop cable ports - max ø 3mm
Size H x L x W	226mm x 125mm x 53mm
Application	Wall mounted

APPLICATION



12F Indoor Termination Box

12 Fiber Splice Capacity, 12 Patch Ports

ITB-258207-12SC-12S-12P is a compact fiber terminal for use at the final fiber termination point in the customer premises.

The ITB-258207-12SC-12S-12P provides mechanical protection and managed fiber control in an attractive format suitable for use inside customer premises.

A variety of possible fiber termination techniques are accommodated.

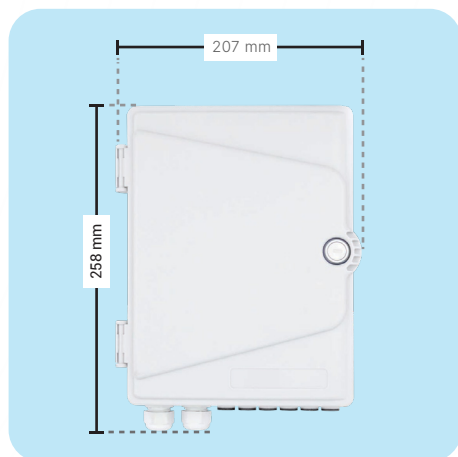
FEATURES

- ~ 2 main ports is for 1 loop cable
- ~ or 2 cables with max Ø 15 or Ø 12 mm.
- ~ The reserved port is for cables with max Ø 15mm
- ~ The 12 small ports ,each port can hold 1 drop cable
- ~ Bending radius > 30mm
- ~ Designed for Wall and Pole mount applications
- ~ Safety lock
- ~ UV resistant, rugged and durable for long term reliability
- ~ Design for small and medium volumes of fiber optic cables
- ~ Reusable
- ~ ROHS compliance

SPECIFICATIONS

Model No.	ITB-258207-12SC-12S-12P
Capacity	12 splices / 12 SC-SX
Splitter Capacity	PLC 1x 1/8
Cable Ports	2 cable ports - max Ø 12mm
Drop Cable	12 drop cable ports - max Ø 3mm
Size H x L x W	258mm x 207mm x 64mm
Application	Wall mounted

APPLICATION



24F Indoor Termination Box

96 Fiber Splice Capacity, 24 Patch Ports

ITB-307245-24SC-96S-24P is a compact fiber terminal for use at the final fiber termination point in the customer premises.

The ITB-307245-24SC-96S-24P provides mechanical protection and managed fiber control in an attractive format suitable for use inside customer premises.

A variety of possible fiber termination techniques are accommodated.

FEATURES

- ~ Designed for Wall and Pole mount applications
- ~ Safety lock with all front operation
- ~ Available for SC/LC adapters
- ~ Accepts loose tube, distribution cables
- ~ Bend radius protection
- ~ Rugged and durable and UV resistant
- ~ Resistance to vibration and shock
- ~ Compatible with small and medium volumes of cables
- ~ Convenient for expansion of capacity
- ~ Sheath retention & central strength member included
- ~ ROHS compliance

SPECIFICATIONS

Model No.	ITB-307245-24SC-96S-24P
Capacity	96 splices / 24 SC-SX
Splitter Capacity	PLC 3x 1/8 or 1x 1/16
Cable Ports	3 cable ports - max \varnothing 14mm
Drop Cable	24 drop cable ports - max \varnothing 3mm
Size H x L x W	307mm x 245mm x 81mm
Application	Wall & Pole mounted

APPLICATION



48F Indoor Termination Box

144 Fiber Splice Capacity, 48 Patch Ports

ITB-398327-54SC-144S-48P is a compact fiber terminal for use at the final fiber termination point in the customer premises.

The ITB-398327-54SC-144S-48P provides mechanical protection and managed fiber control in an attractive format suitable for use inside customer premises.

A variety of possible fiber termination techniques are accommodated.

FEATURES

- ~ The oval port is for 1 loop for 2 cables with max Ø 20 mm.
- ~ The reserved port is for cables with max Ø 18 mm
- ~ Bending radius > 30mm
- ~ Designed for Wall and Pole mount applications
- ~ Safety lock
- ~ Rugged and durable and UV resistant
- ~ Design for small and medium volumes of fiber optic cables
- ~ Reusable
- ~ ROHS compliance
- ~ Dimensions 398 mm x 327 mm x 118 mm (L x W x H)

SPECIFICATIONS

Model No.	ITB-398327-54SC-144S-48P
Capacity	144 splices / 54 SC-SX
Splitter Capacity	PLC 6× 1/8 or 3× 1/16 or 1× 1/32
Cable Ports	2 cable ports - max Ø 20mm 1 reserved cable port - max Ø 18mm
Drop Cable	12 ports - max Ø 14mm that holds 48 drop cables - max Ø 3mm
Size H x L x W	398mm x 327mm x 118mm
Application	Wall & Pole mounted

APPLICATION



DIN Rail Fiber Optic Module | Version 2

FDF-DIN-PX-XX-XX-XX

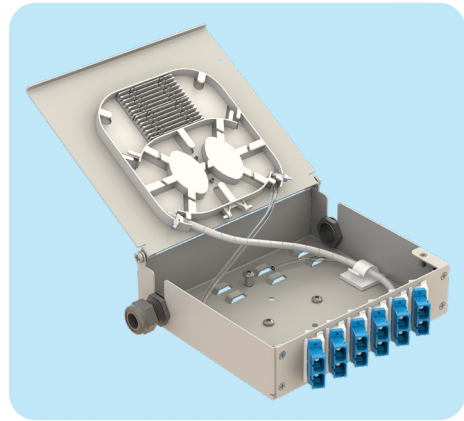
Easy to install and with a compact design, this box allow the user to connect up to 12/24 fibers.

This fiber box, mountable on DIN rail in electric or communication cabinets or other environments on wall surfaces.

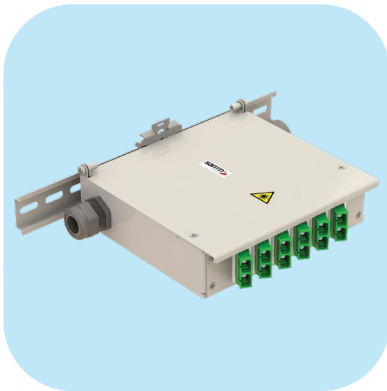


PROPERTIES

- ~ Supports up to 12/24 fibers per module
- ~ Cable entry/outlet from the bottom and top
- ~ Splice and patch solution
- ~ Bending radius protected fiber over-length storage ($r \geq 30$ mm)
- ~ Can be easy snapped on a DIN-Rail 35mm
- ~ Temp range : -40 °C to +70 °C
- ~ Splice tray for 12 Fiber
- ~ Fiber reservoir
- ~ 2 x PG16 cable gland
- ~ Available unequipped, partly and fully equipped
- ~ RAL 7035 Light Grey Powder coated



MOUNTING OPTIONS



Horizontal



Vertical



Sideway Vertical

PRODUCT CODING

FDF-DIN-V2-PX-XX-XX-XX

Sample Coding

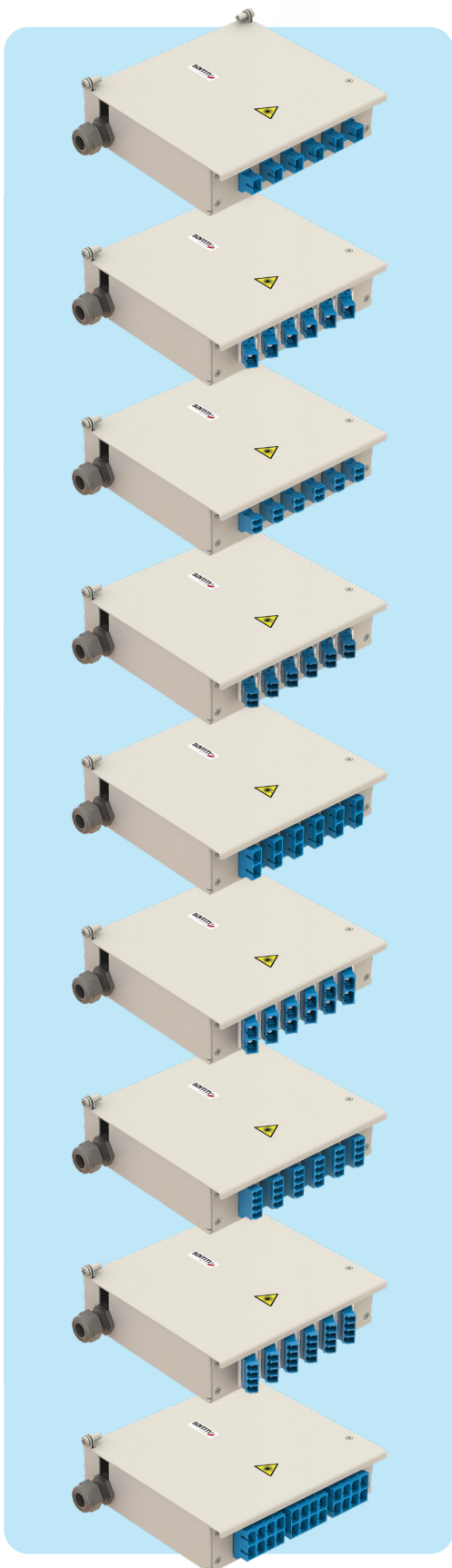
FDF-DIN-V2-P1-SM-SC-12

SC-DX 12 FO DIN Rail Box, Single Mode, Angled

DIN Rail Fiber Optic Module | Version 2

FDF-DIN-PX-XX-XX-XX

PANEL OPTIONS



Panel Model	Adapters	Fiber Count	Angle
P1	6 x SC-Simplex	6 Fibers	Straight
P1	6 x SC-Simplex	6 Fibers	Straight
P1	6 x SC-Simplex	6 Fibers	Straight
P1	6 x SC-Simplex	6 Fibers	Straight
P1	6 x SC-Simplex	6 Fibers	Straight
P1	6 x SC-Simplex	6 Fibers	Straight
P1	6 x SC-Simplex	6 Fibers	Straight
P1	6 x SC-Simplex	6 Fibers	Straight
P1	6 x SC-Simplex	6 Fibers	Straight
P1	6 x SC-Simplex	6 Fibers	Straight

DIN Rail Fiber Optic Module | Version 2

FDF-DIN-PX-XX-XX-XX

DIMENSIONS

