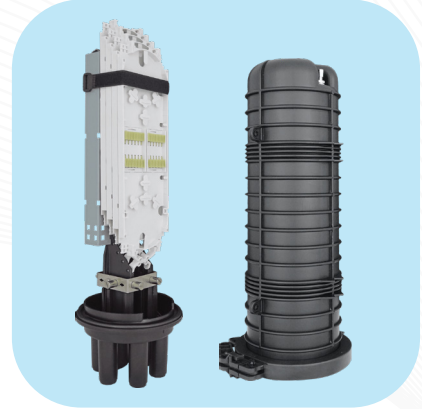


# 96F Fiber Optic Splice Closures

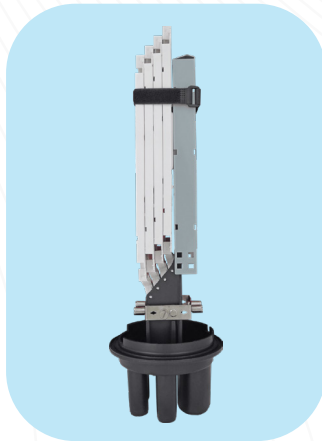
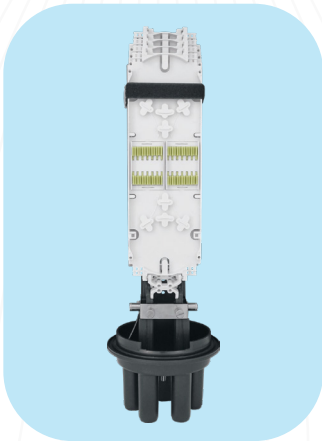
4 Trays, 4x24 Fibers

## FEATURES

- ~ May be used for cut, uncut and taut sheath applications.
- ~ May be used for all fiber optic cable.
- ~ Sheath retention & central strength member fasten system included.
- ~ Closure construction and lightweight plastic provides strength and resistance to chemical and U.V attack.
- ~ Installation and reentry with a minimum of tools.
- ~ All hardware are included.
- ~ Protection class: **IP68**.
- ~ RoHS compliance.



## APPLICATION



## SPECIFICATIONS

<b>Model No.</b>	<b>YT00962   SSC-540170-4P-96-4T/4T-T102A</b> 540x170mm, 96 Fibers Capacity, 4 Trays, 4 Port, Enclosure , w/o Mounting Kits
<b>Spliced Fiber Storage Capacity</b>	<b>96 splices (4x24)</b>
<b>Size   Height x Width x Depth</b>	<b>540mm x 170mm (w/o clamp)   540mm x 220mm (w/ clamp)</b>
<b>Cable Ports</b>	<b>1 oval port (25mm), 4 round ports (20mm)</b>

<b>Model No.</b>	<b>Wall Mounting Kit - 1   Wall Mounting Kit - 2   Wall Mounting Kit - 3</b> <b>Pole Mounting Kit - 1   Pole Mounting Kit - 2   Pole Mounting Kit - 3</b>
------------------	--