

# 288F Fiber Optic Splice Closures

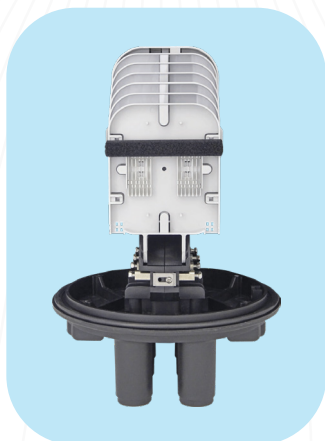
Single Circuit Max: 48 Trays, 48x12 Fibers

## FEATURES

- ~ Modular capacity up to **288 fibers**.
- ~ May be used for cut, uncut and taut sheath applications.
- ~ May be used for all fiber optic cable.
- ~ Sheath retention & central strength member fasten system included.
- ~ Closure construction and lightweight plastic provides strength and resistance to chemical and U.V attack.
- ~ Installation and reentry with a minimum of tools.
- ~ All hardware are included.
- ~ Protection class: **IP68**.
- ~ RoHS compliance.



## APPLICATION



## SPECIFICATIONS

Model No.	<b>YT01057   SSC-361250-6P-288-12T/12T-T059A</b> 576x265m, 576 Fibers Capacity, 48 Trays, 6 Port, Enclosure , w/o Mounting Kits
Model No.	<b>YT01058   SSC-361250-6P-144-6T/12T-T059A</b> 576x265m, 288 Fibers Capacity, 24 Trays, 6 Port, Enclosure , w/o Mounting Kits
Spliced Fiber Storage Capacity	<b>288 splices (12x24)</b>
Size   Height x Diameter	<b>361mm x 250mm (w/o clamp), 361mm x 300mm (w/ clamp)</b>
Cable Ports	<b>1 oval port (30mm), 6 round ports (30mm)</b>

Model No.	<b>Wall Mounting Kit - 2</b> <b>Pole Mounting Kit - 2</b>
-----------	--------------------------------------------------------------