

# 960F Fiber Optic Splice Closures

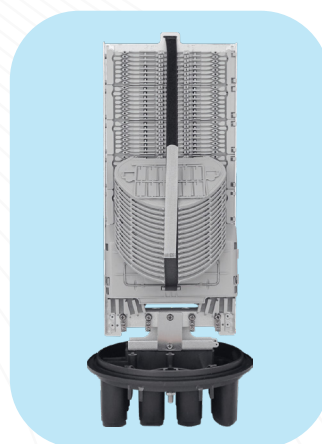
Single Circuit Max: 80 Trays, 80×12 Fibers

## FEATURES

- Modular capacity up to **960 fibers**.
- May be used for cut, uncut and taut sheath applications.
- May be used for all fiber optic cable.
- Sheath retention & central strength member fasten system included.
- Closure construction and lightweight plastic provides strength and resistance to chemical and U.V attack.
- Installation and reentry with a minimum of tools.
- All hardware are included.
- Protection class: **IP68**.
- RoHS compliance.



## APPLICATION



## SPECIFICATIONS

Model No.	<b>YT01047   SSC-576250-6P-576-48T/80T-S12C</b> 576×265m, 576 Fibers Capacity, 48 Trays, 6 Port, Enclosure , w/o Mounting Kits
Model No.	<b>YT00966   SSC-576250-6P-288-24T/80T-S12C</b> 576×265m, 288 Fibers Capacity, 24 Trays, 6 Port, Enclosure , w/o Mounting Kits
Model No.	<b>YT01048   SSC-576250-6P-144-12T/80T-S12C</b> 576×265m, 144 Fibers Capacity, 12 Trays, 6 Port, Enclosure , w/o Mounting Kits
Spliced Fiber Storage Capacity	<b>960 splices (80×12)</b>
Size   Height x Diameter	<b>576mm x 250mm (w/o clamp), 576mm x 300mm (w/ clamp)</b>
Cable Ports	<b>1 oval port (30mm), 6 round ports (30mm)</b>

Model No.	<b>Wall Mounting Kit - 2</b> <b>Pole Mounting Kit - 2</b>
-----------	--